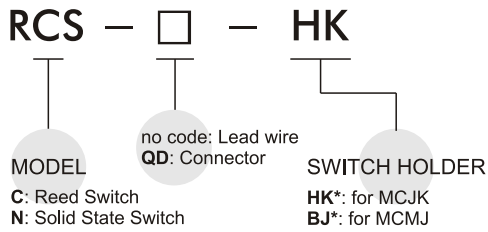
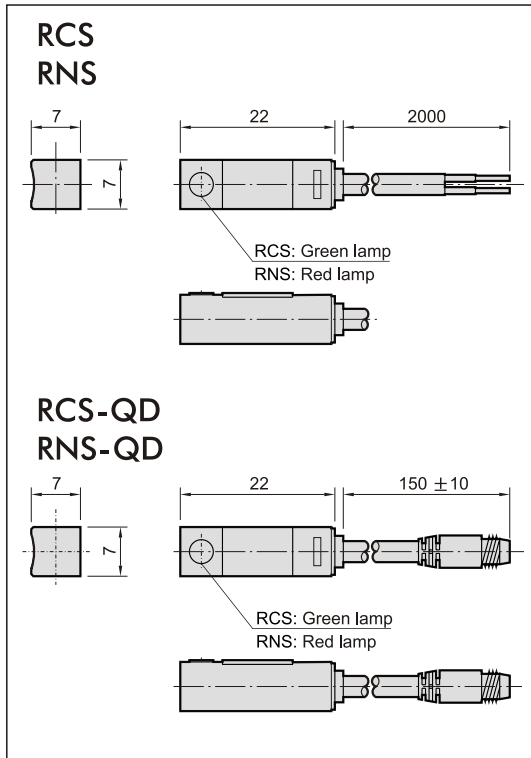


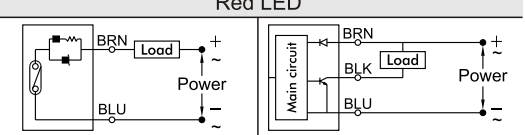
### Order example:



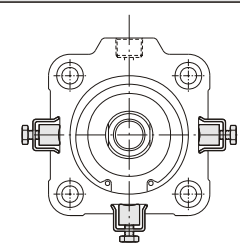
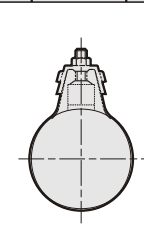
### Dimension



### Specification:

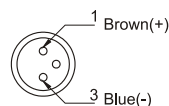
Model	RCS	RNS
Switch type	Reed switch	NPN current sinking
Contracts	Normal open	
Voltage range	5~240V DC/AC	5~28V DC
Current range	100mA max.	200mA max.
Switch range	10W max.	6W max.
Shock resistance	30G	50G
Voltage drop	2.5V max.	0.5V max.
Response time	Max. 1ms	
Temperature	-10~70°C	
Lead wire	2.8 φ, 2C, PVC	2.8 φ, 3C, PVC
Lead wire length	2 m	
Indicator lamp	LED lights up when ON	
Enclosure classification	IP 67 (NEMA 6)	
Indicator	Red LED	
Symbol		

### Assembling style:

Cylinder type	MCJK	MCMJ		
Mounting clamps	Hold	Band		
Order	HK	BJ6	BJ10	BJ16
Cylinder tube I.D.	16,20,25,32,40,50,63,80,100	6	10	16
Pictures				

### Wiring of the QD

#### ● 2 wire QD wiring



#### ● 3 wire QD wiring

